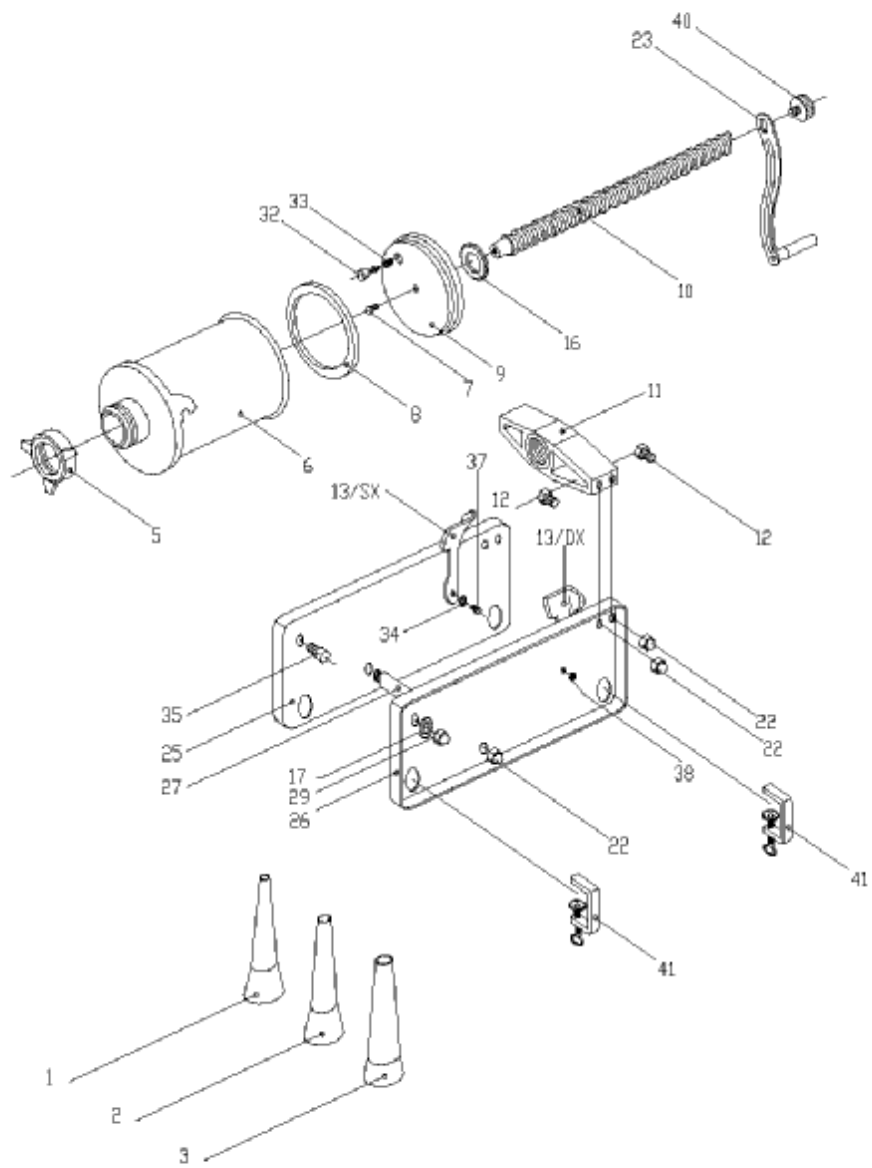
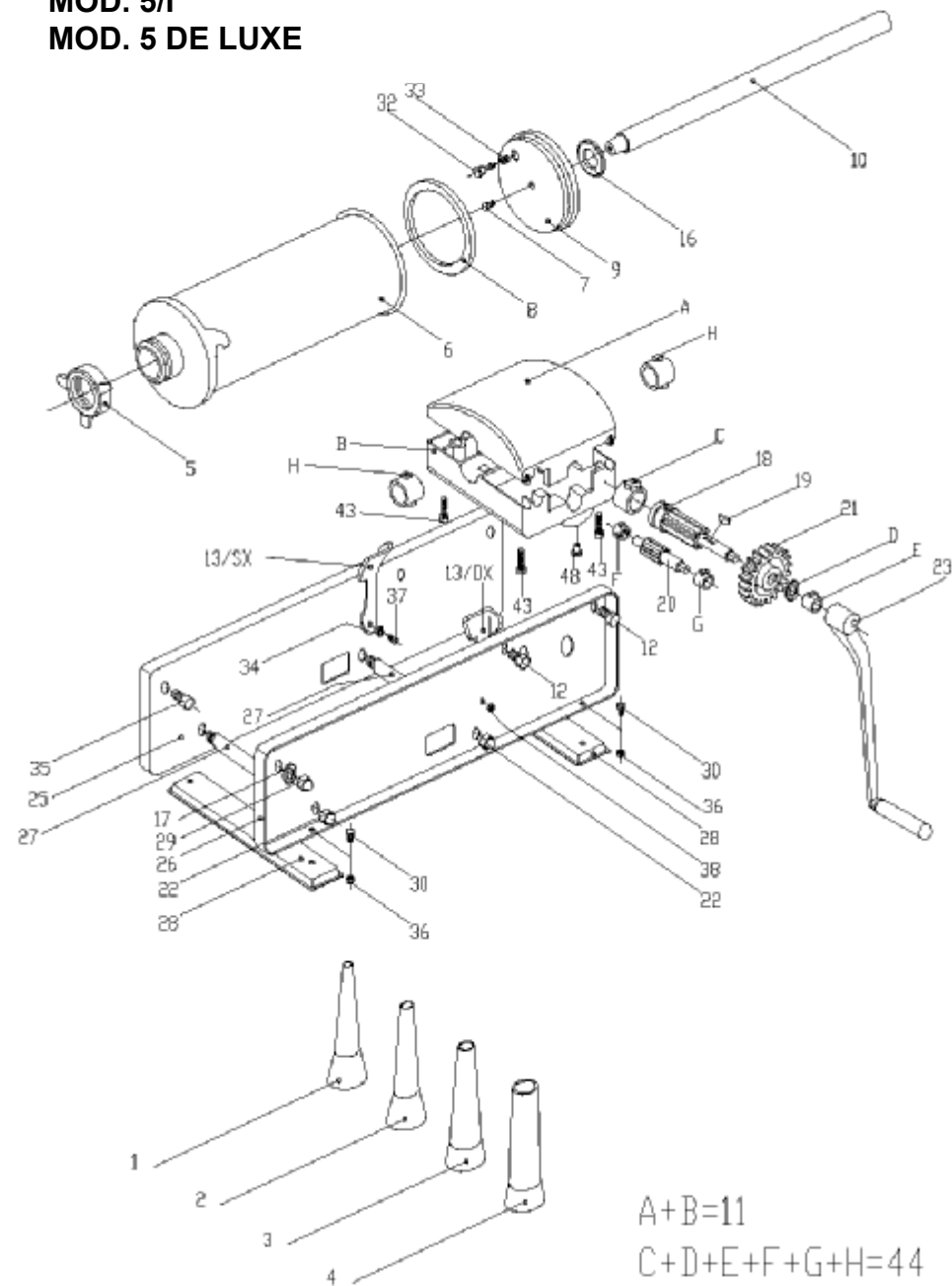


**MINNIE
LUCY
LUCY/1**



**MOD. 5
MOD. 5/1
MOD. 5 DE LUXE**



A+B=11
C+D+E+F+G+H=44